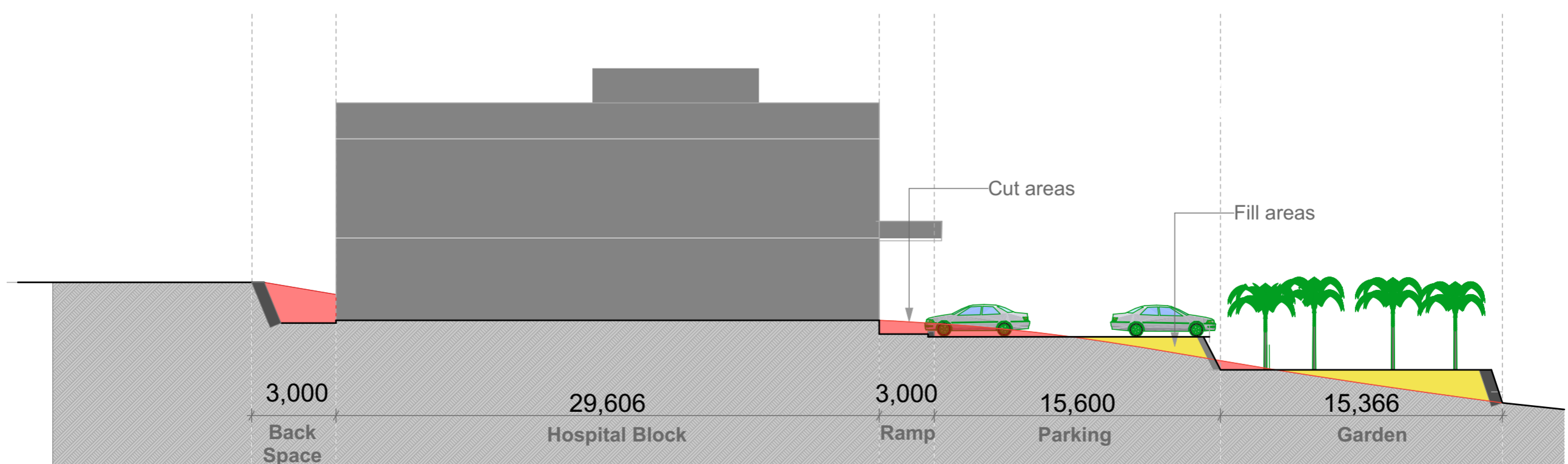


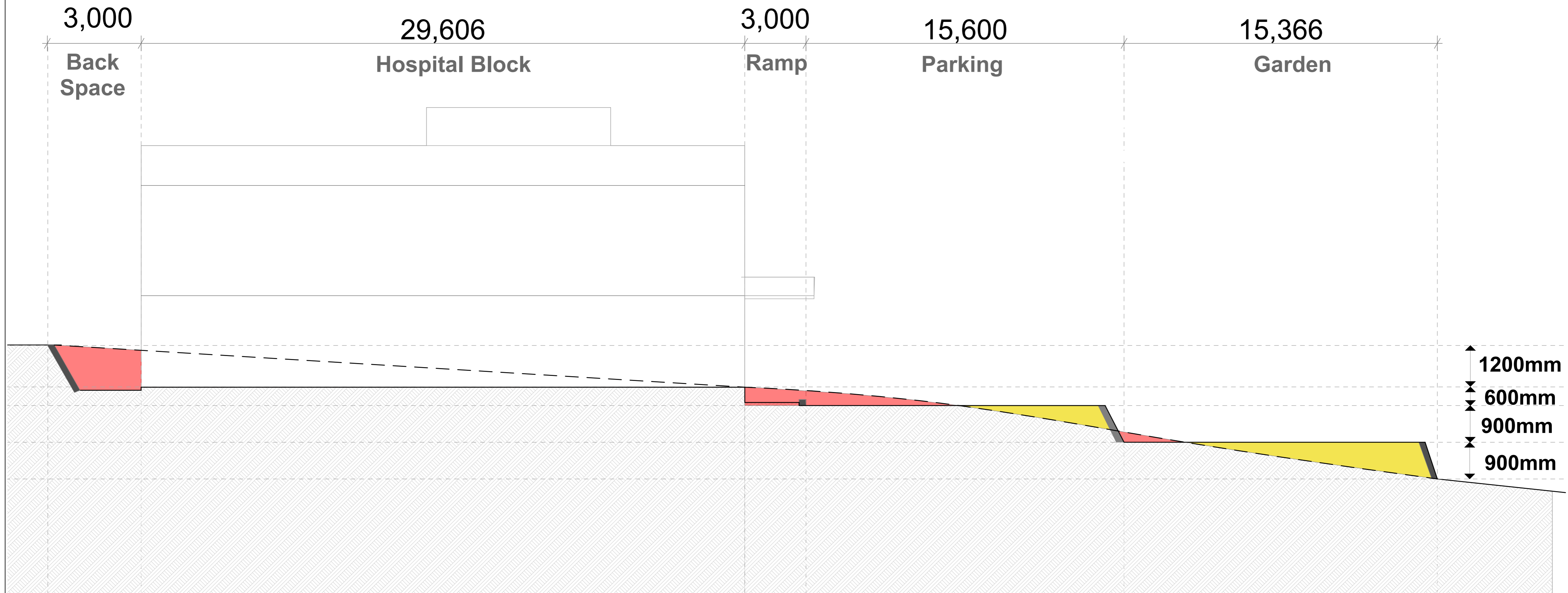




0. Ground Floor (1) 1:250



0. Section 01 1:250



**Cut areas**

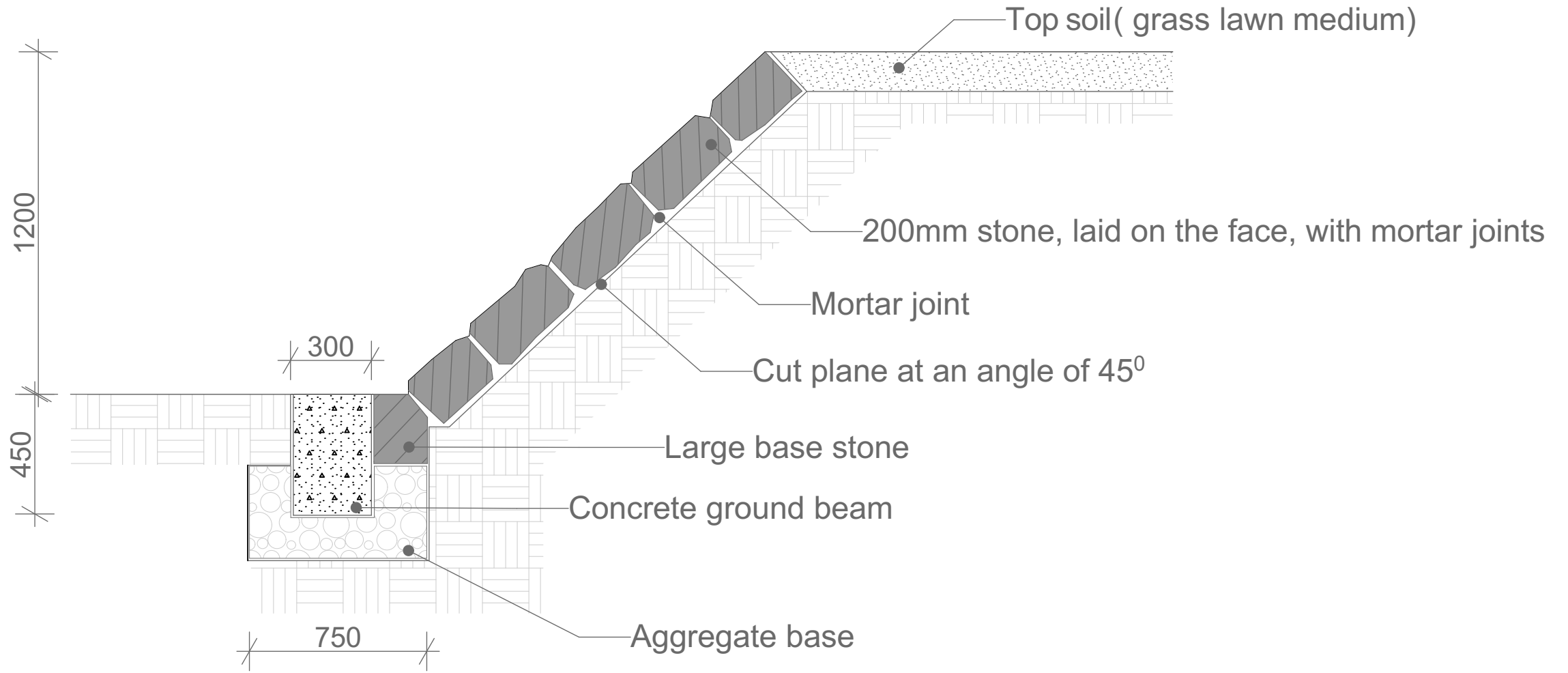


**708M<sup>3</sup> (est.)**

**Fill areas**



**379 M<sup>3</sup> (est.)**



D

STONE PITCHED EMBANKMENT

1:20

